



APPLICATION

The PREPAFLOC 8500 system is designed for the continuous production of powder or granules diluted in a liquid. The flow rate of the wetting liquid can be adjusted using a control valve and a flow controller.

- The liquid is dispersed in a special funnel to prevent dry spots.
- The powder for dosing is brought to the funnel by a screw conveyor and a variable-speed drive.
- The powder falls onto the stream of water and is wetted without forming lumps.
- The liquid/powder solution is drawn up into a disperser that has an open turbine to break up or eradicate any lumps that are undesirable in certain solution applications.
- The lifting capacity of the disperser can raise the solution to a height of 10 metres.
- The dry-product storage hopper is vibrated to prevent arching.

This station consists of : a water inlet with a pressure regulating valve, a solenoid valve, a control valve, a flow meter, a wetting dispersal funnel.

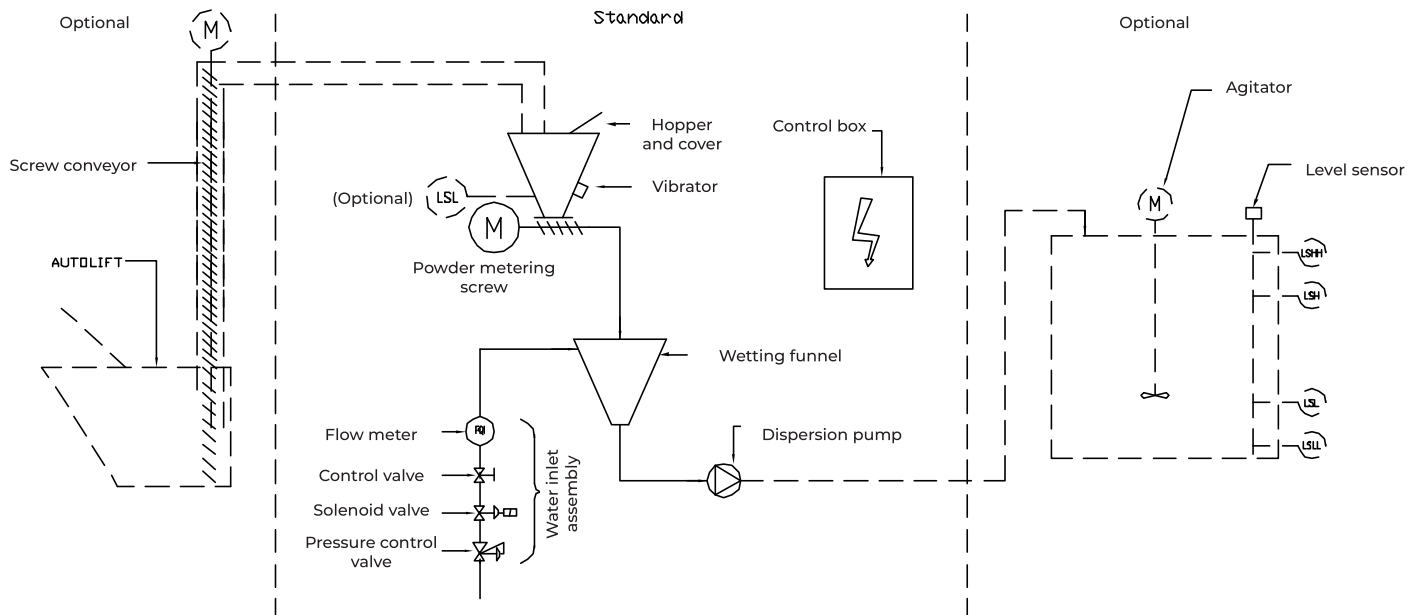
This is followed by a flocculant inlet with a powder dosing unit, and finally an electrical cabinet housing the controls.

OPTIONS

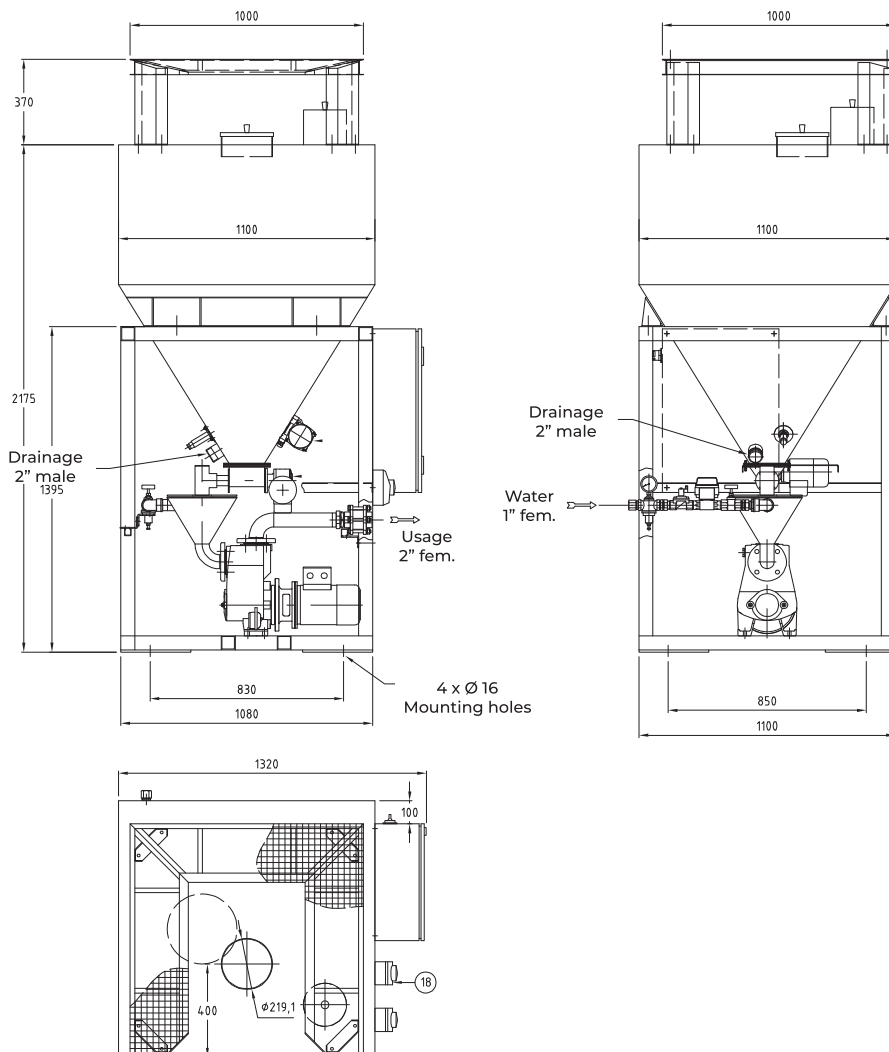
- Specific voltages
 - Atex motor
 - Hopper volume matched to customer requirements
 - Post-process dilution
 - Frame made-to-measure or in a specific size
 - Other options are available according to requirements.
- Contact us for information.

TECHNICAL DATA

> Drawing for illustration purposes



> Drawing for illustration purposes



Type	Final flow rate (l/h)	Powder flow rate (kg/h)
9801	4000	27
9802	6300	40
9803	15000	126