



APPLICATION

A noise control cover mounted around the motor unit significantly reduces the audible noise level. Its open-top design ensures that the motor unit remains properly vented, removing the need for a fan.

The surface aerator sprays are hooded for two main reasons:

- As an abatement measure to reduce noise emissions from the downward water flow,
- As a containment dome against aerosols discharged by the effluent spray into the atmosphere,

Covers are often installed by widening the walkways above the aerators and fitting synthetic skirts that run all around the resulting platform. This work-intensive and costly method is difficult to install as a retrofit or during renovations. The cover system developed by TMI uses two half domes made from fibreglass-reinforced polyester resin. The two sections are bolted onto and supported by the walkway's concrete guard walls. They can be enlarged if necessary (e.g. high freeboard) by coated canvas extensions. Galvanised steel fittings can be supplied for attaching them to walls that are too low. The covers are designed to be rugged, and are sloped to allow snow to slide off unaided.

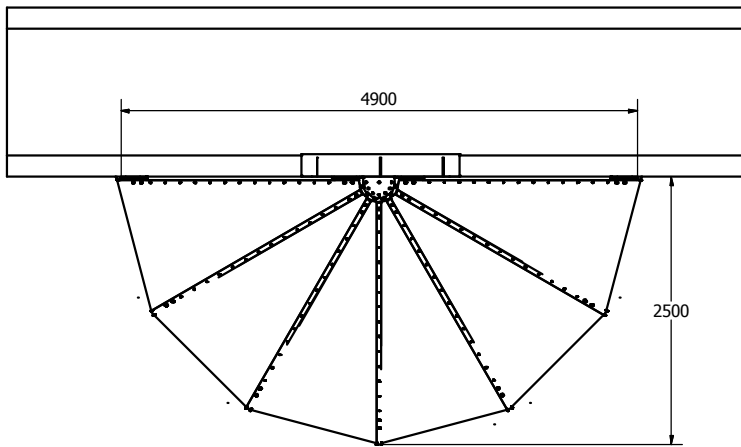
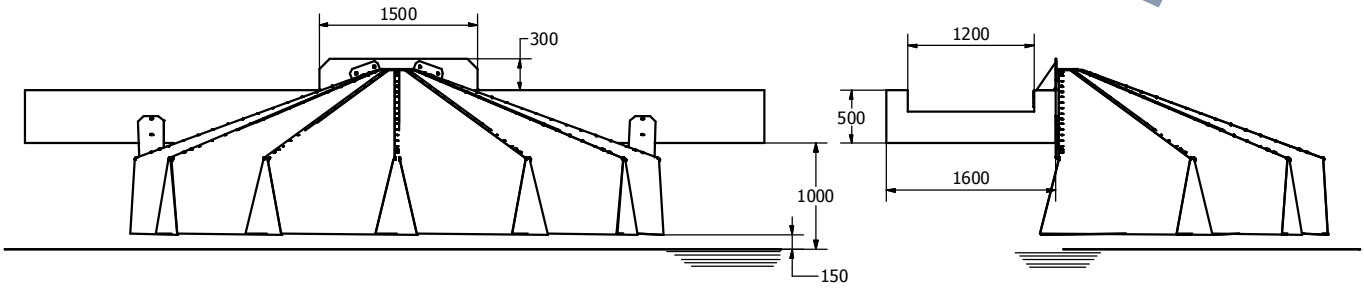
Our covers are built from highly durable materials that are corrosion resistant yet lightweight for easy installation. The only civil engineering work required is a walkway with walls that give the construction strength and act as a safety barrier. Installation is quick and easy and can be completed on a full or empty tank.

SUMMARY

- Noise control cover
- Spray cover
- Two polyester resin half domes
- Designed for all weather conditions

TECHNICAL DATA

> Drawing for illustration purposes



> Drawing for illustration purposes

