



APPLICATION

High-speed aerators differ from low-speed versions in that they are mainly used for processes in which the oxygen transfer rate is not a crucial factor (under 1.1 kg of O₂/kW/h). They consist of a high-rpm turbine inside a pipe. The pump-impeller assembly is mounted on a polyester float. The motor used is determined by the power supply characteristics.

Our AVR aerators not only significantly reduce the cost of civil engineering works; they can also be used to aerate tanks where levels fluctuate. They are easy to install and easy to move using the 4 mooring lines.

These high-speed aerators are available in 3 kW to 75 kW versions, with oxygenation capacities ranging from 3.2 to 85 kg O₂/h.



OPTIONS

- Specific voltages
- Electrical wiring
- Mooring slings
- Variator
- High-specification materials (Uranus 52N, Uranus B6, range of coatings, etc)
- Other options are available according to requirements. Contact us for information.

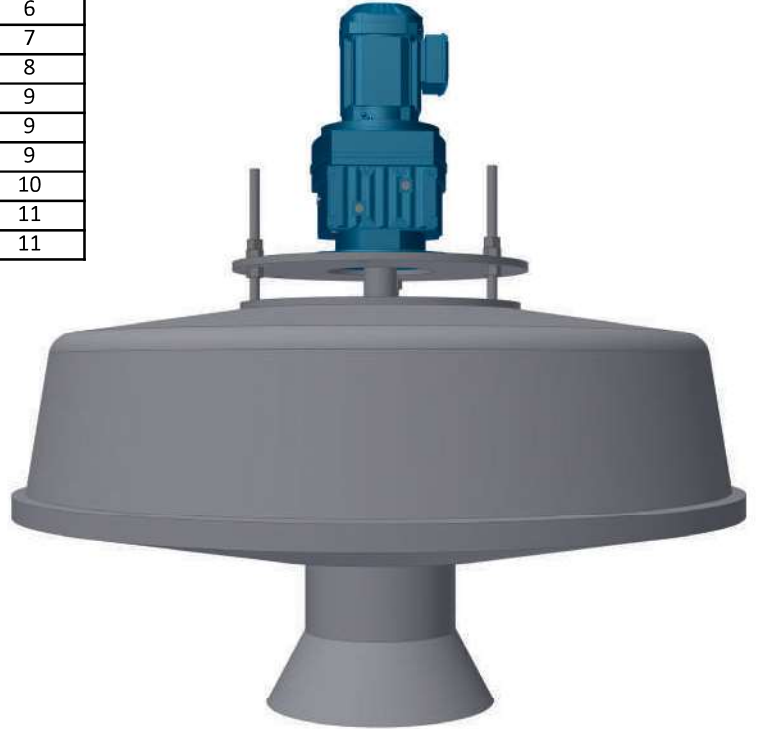
SUMMARY

- High-speed aerator
- Floating aerator
- Easy to operate and install
- Wide range of sizes
- Standard 230/400 V - Three-phase 50 Hz Tropicalized
- Numerous options

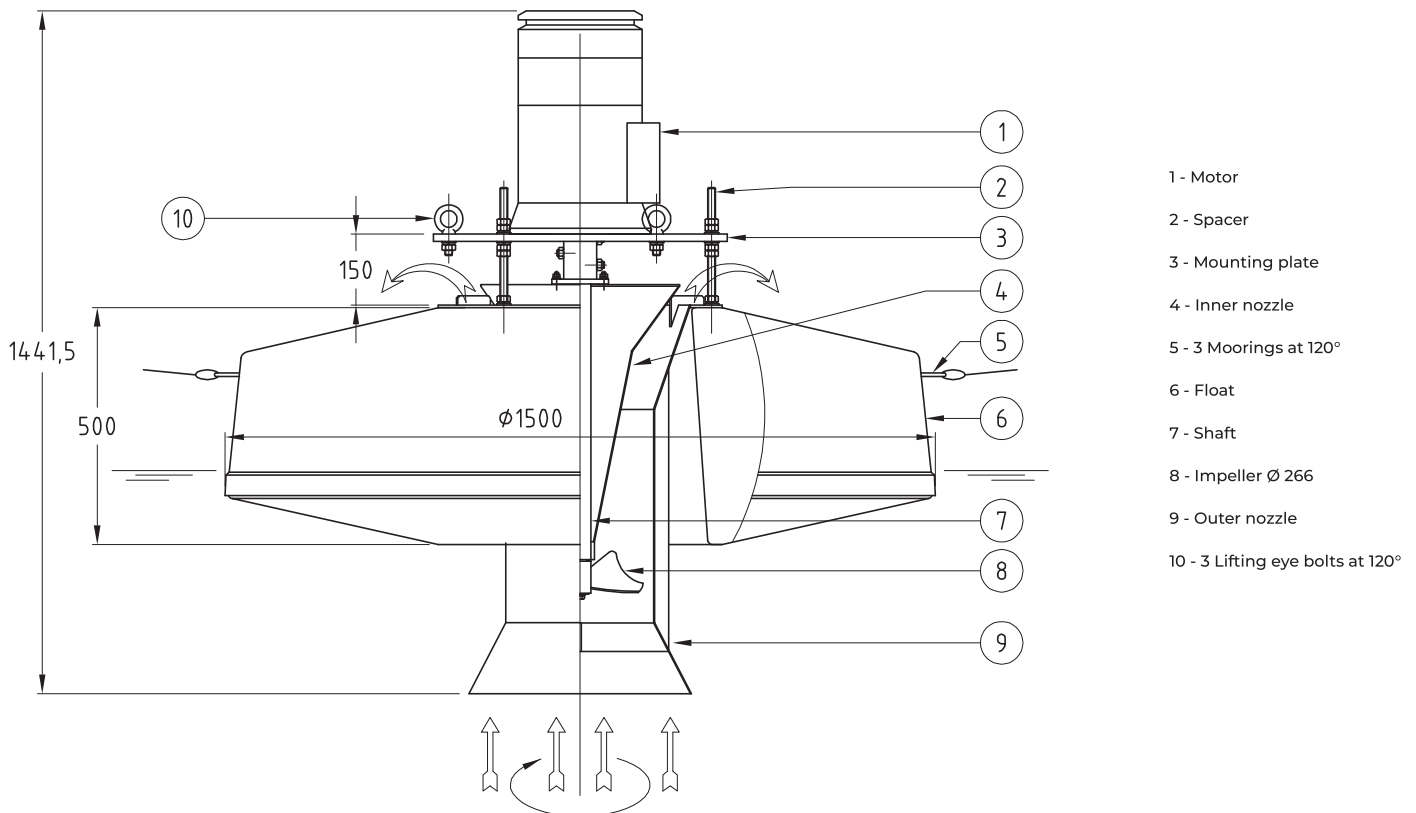


TECHNICAL DATA

Type	P (kw)	Q (m3/h)	Ø Total	Oxygenation capacity (kgo2/h)	Ø Spray
AVR 30	3	730	1500	3,2	4
AVR 40	4	780	1500	4,2	4
AVR 55	5,5	880	1500	5,8	5
AVR 75	7,5	990	1500	7,9	6
AVR 110	11	1200	2400	12	7
AVR 150	15	1820	2400	15,8	8
AVR 185	18,5	1940	2400	19,5	9
AVR 220	22	2070	2400	25	9
AVR 300	30	2600	2400	34	9
AVR 370	37	3330	2400	38,9	10
AVR 450	45	3570	3000	47,3	11
AVR 750	75	5800	3000	85	11



> Drawing for illustration purposes



Weight : 241 kg