

APPLICATION

Our AVL 2 aerators consist of a drive unit and a low-rpm, surface-level turbine. The thin-blade, hub-welded turbines are designed to ensure a high oxygen transfer rate and to effectively keep the sludge in suspension. The turbines are made of carbon steel and driven at a low rpm by a specific reduction gear system with a high AGMA rating. Our fixed aerators are secured to the footbridge by mounting plates and plate brackets that are available as optional items.

These low-speed aerators are available in 5.5 kW to 75 kW versions. The turbines are available in 1,220 to 2,800 mm diameter, 3- to 18-blade versions.



OPTIONS

- Specific voltages
- Variator
- High-specification materials (Uranus 52N, Uranus B6, range of coatings, etc)
- Other options are available according to requirements. Contact us for information.

SUMMARY

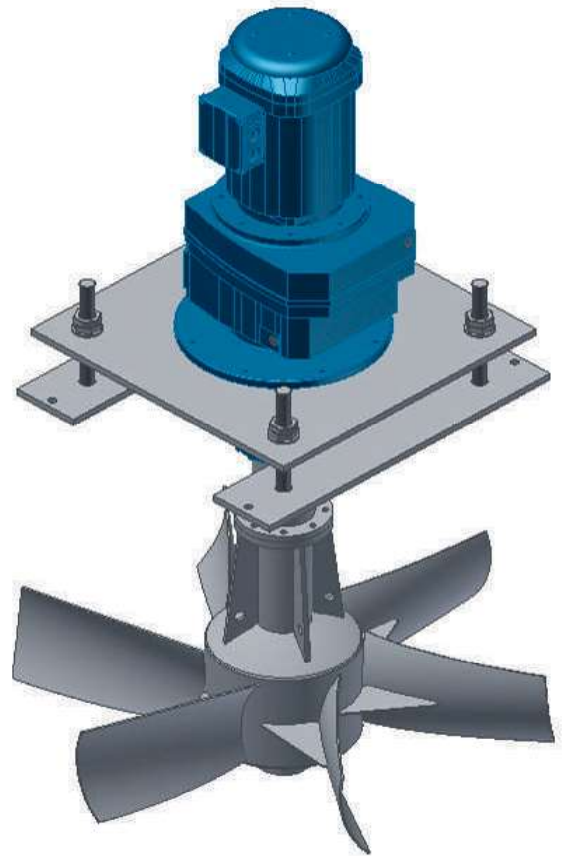
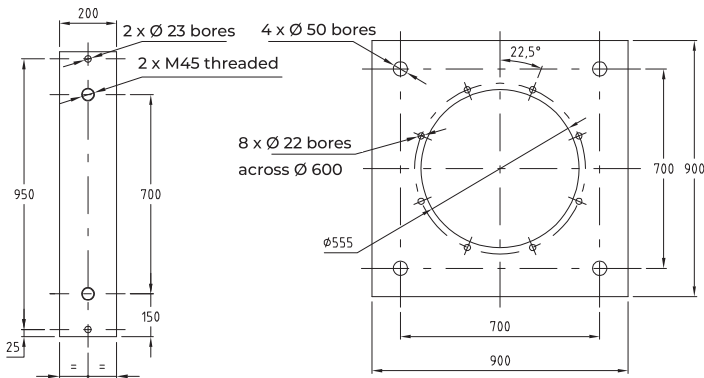
- Low-speed aerators, suitable for high oxygenation
- Wide range of sizes
- Standard 230/400 V • Three-phase 50 Hz Tropicalized
- Fit with or without anchor plates or mounting plate
- Numerous options



TECHNICAL DATA

Type	P (kw)	N (tr/min)	Q (m3/h)	Ø Turbine	Blades	Oxygenation capacity (kgo2/h)	Specific capacity (kgo2/kw/h)	Hauteur maxi plan de pose / niv. haut	Distance H mini : passerelle / niv. haut	freeboard height B	Min. water height	Max. water height	Ø max pond	Ø min pond
AVLE 255	5,5	80	2500	1220	3	8	1,5	1200	900	600	2500	3400	9200	7500
AVLE 275	7,5	80	2800	1220	3	11	1,5	1200	900	600	2500	3800	11000	8600
AVLE 292	9,2	81	3420	1220	3	14	1,5	1200	900	600	2500	4000	12000	9000
AVLE 2110	11	81	3960	1220	3	17	1,6	1200	900	600	2500	4200	13000	10000
AVLE 2150	15	67	5500	1400	6	25	1,7	1200	1000	700	2800	4300	14000	11500
AVLE 2185	18,5	67	6500	1500	6	31	1,7	1200	1000	700	3000	4500	15400	12500
AVLE 2220	22	49	11000	1700	6	37	1,7	1200	1000	700	3500	5000	15500	13000
AVLE 2300	30	61	11000	1800	9	51	1,7	1200	1000	800	3600	5300	17900	14700
AVLE 2370	37	53	13000	1800	11	62	1,7	1200	1000	800	3600	5500	20000	16000
AVLE 2450	45	53	17000	2000	12	75	1,7	1200	1000	800	4000	6000	23000	18000

> Drawing for illustration purposes



1 mounting plate
16 x HM45 nuts
8 x L45 washers
4 x M45 threaded rods lgth 300
2 attachment plates

1 mounting plate
32 x HM45 nuts
16 x L45 washers
4 x M45 threaded rods lgth 1000

OPTION 2

OPTION 1

