



APPLICATION

Our AVL 1 aerators consist of a drive unit and a low-rpm, surface-level turbine. The thin-blade, hub-welded turbines are designed to ensure a high oxygen transfer rate and to effectively keep the sludge in suspension. The turbines are made of carbon steel and driven at a low rpm by a specific reduction gear system with a high AGMA rating. Our fixed aerators are secured to the footbridge by mounting plates and plate brackets that are available as optional items.

These low-speed aerators are available in 1.1 kW to 4 kW versions. The turbines are available in 600 to 1050 mm diameter, 3- to 5-blade versions.

OPTIONS

- Specific voltages
- Variator
- High-specification materials (Uranus 52N, Uranus B6, coating, etc)
- Other options are available according to requirements. Contact us for information.

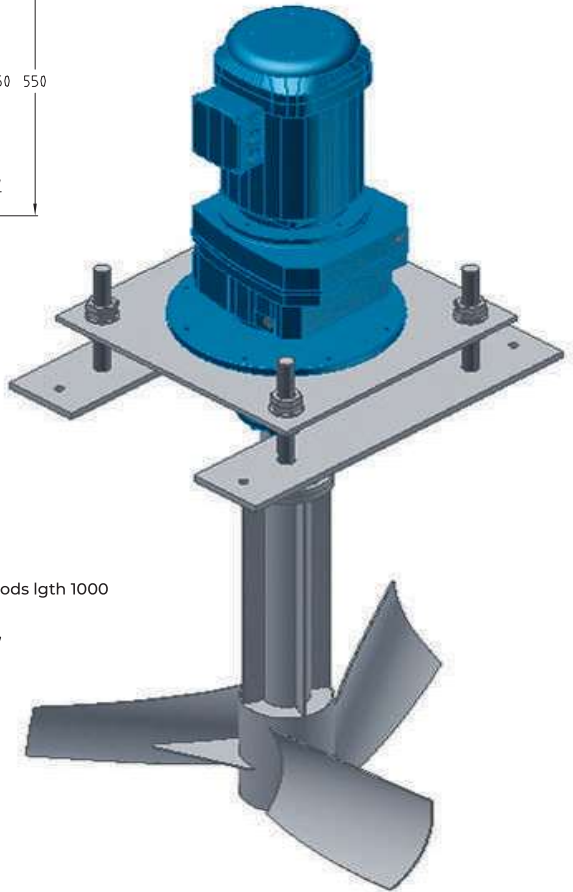
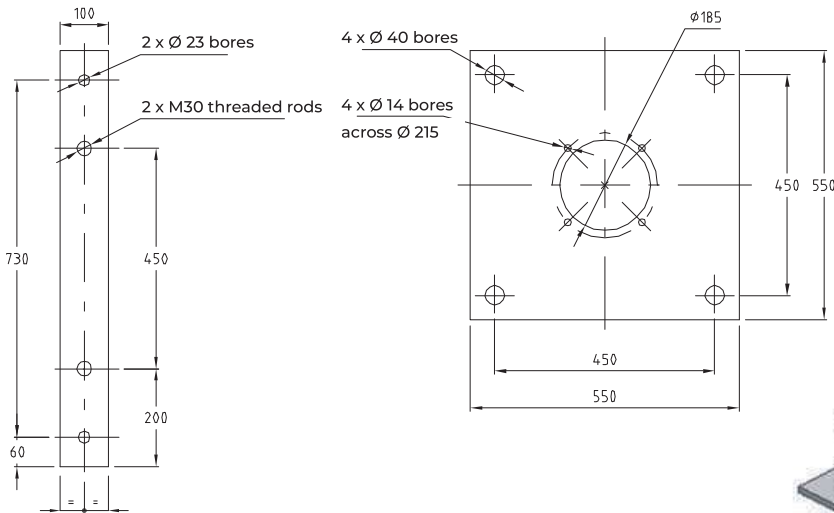
SUMMARY

- Low-speed aerators, suitable for high oxygenation
- Wide range of sizes
- Standard 230/400 V - Three-phase 50 Hz Tropicalized
- Fit with or without anchor plates or mounting plate
- Numerous options

TECHNICAL DATA

Type	P (kw)	N (tr/min)	Q (m ³ /h)	Ø Turbine	Blades	Oxygenation capacity (kgo ₂ /h)	Specific capacity (kgo ₂ /kw/h)	H maxi plan pose / niv. haut	H mini : passerelle / niv. haut	freeboard height B	Min. water height	Max. water height	Ø max pond	Ø min pond
AVLE 111	1,1	156	540	600	3	1,5	1,4	1200	800	500	1200	2200	6000	4600
AVLE 115	1,5	168	760	600	5	2,2	1,5	1200	800	500	1200	2200	7000	5000
AVLE 122	2,2	118	1100	850	3	3	1,4	1200	900	500	1700	2500	7000	5700
AVLE 130	3	122	1500	850	5	4,4	1,5	1200	900	500	1700	3000	8500	6200
AVLE 140	4	100	2300	1050	5	6	1,5	1200	900	600	2100	3000	8500	7000

> Drawing for illustration purposes



- 1 mounting plate
- 16 x HM30 nuts
- 8 x L30 washers
- 4 x M30 threaded rods lgth 300
- 2 attachment plates

OPTION 2

- 1 mounting plate
- 32 x HM30 nuts
- 16 x L30 washers
- 4 x M30 threaded rods lgth 1000

OPTION 1

